

CA114D Single Drum Vibratory Roller



UPPER VALLEY EQUIPMENT RENTALS

INC

8 BRIDGE ST., W. LEBANON, NH 03784
603-298-8744

\$315 - Day Rental
\$1260 - Week/5 days
***delivery not included**

*Pricing subject to change



Overview

This CA114D single drum vibratory roller is for the big jobs with a 66 inch width drum with a static linear load of 68 pounds per inch.

Specifications

Masses

-operating mass (including ROPS)	10,600 lb.
-module mass (front/rear)	4,500 lb./6,100 lb.
-max. operating mass	13,000 lb.

Traction

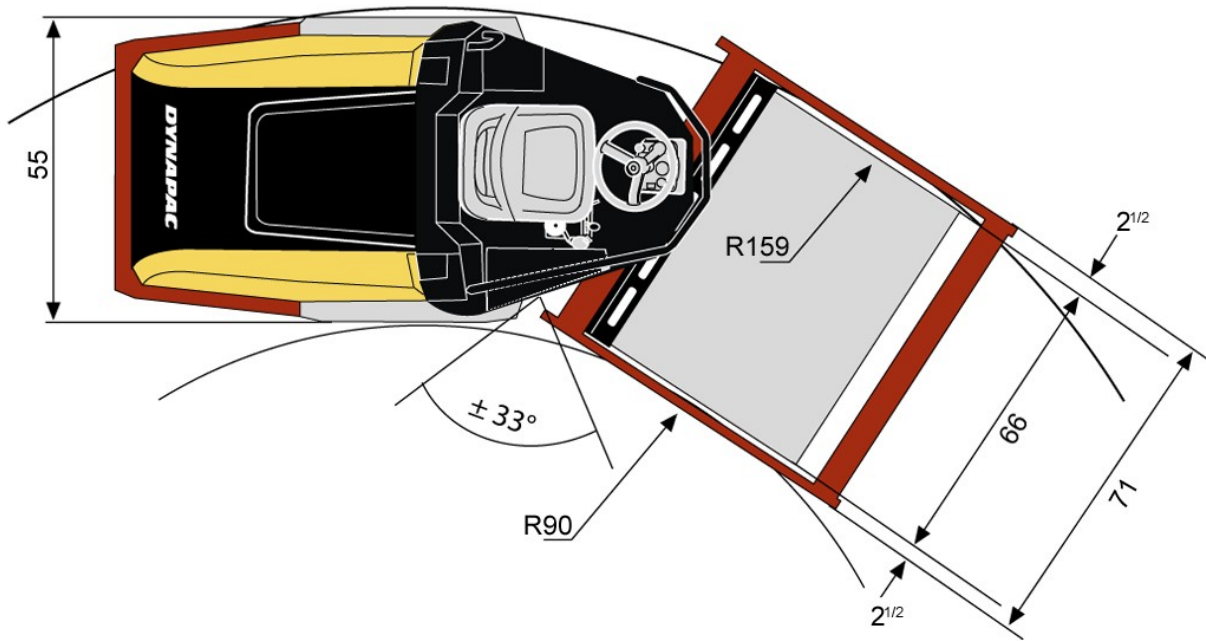
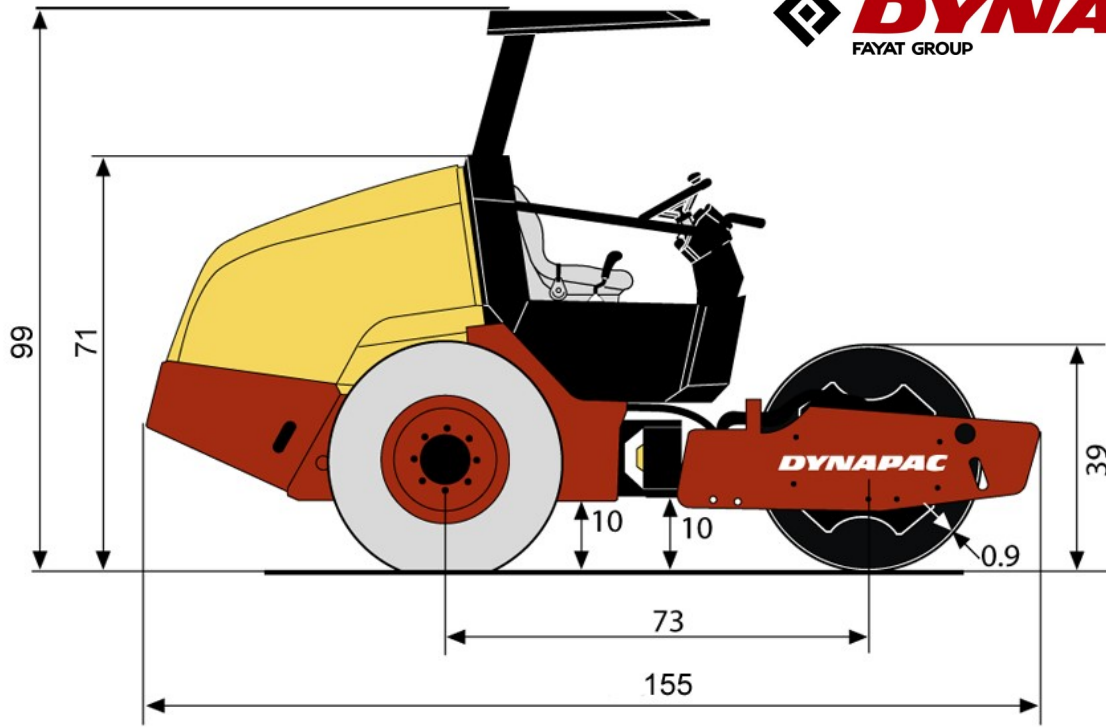
-speed range	0-4 mph
-max. theoretical gradeability	46 %
-vertical oscillation	±9°

Engine

-type	water cooled turbo diesel
-rated power, SAEJ1995	84 hp @ 2,800 rpm
-fuel tank capacity	31 gal.

Hydraulic system

-driving	axial piston pump with variable displacement axial piston motor with constant displacement axial piston motor with constant displacement
-vibration	gear pump/ motor with constant displacement
-steering	gear pump with constant displacement
-service brake	hydrostatic in forward and reverse lever
-parking/emergency brake	failsafe multidisc brake in rear axle and front drum motor



Drum width	66 in
Drum diameter	39 in
Drum shell thickness	0.87 in
Length	155.51 in
Width	71 in
Height, with ROPS	98.70 in
Height, without ROPS	71.65 in